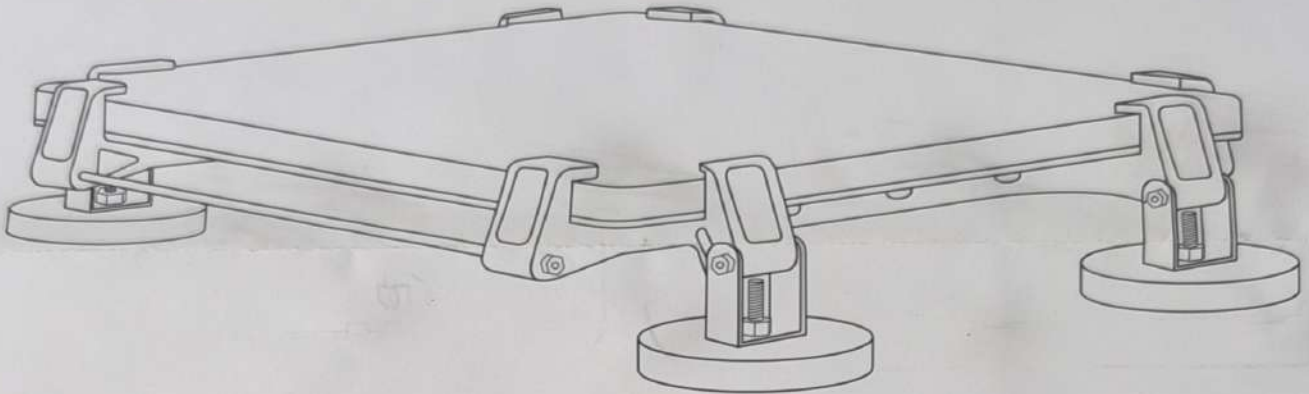
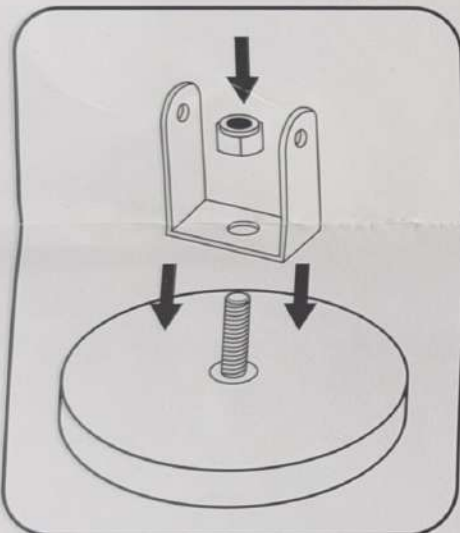


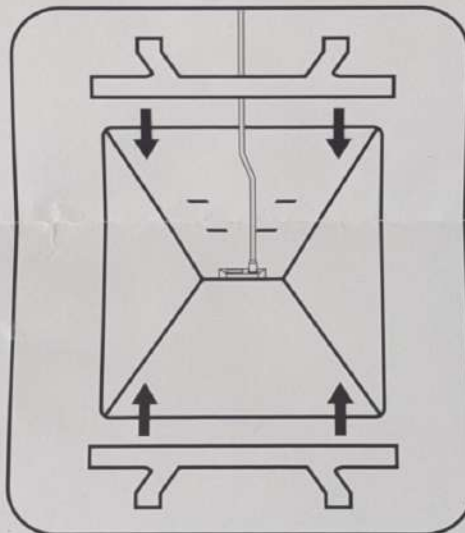
Mini Magnetic Mount



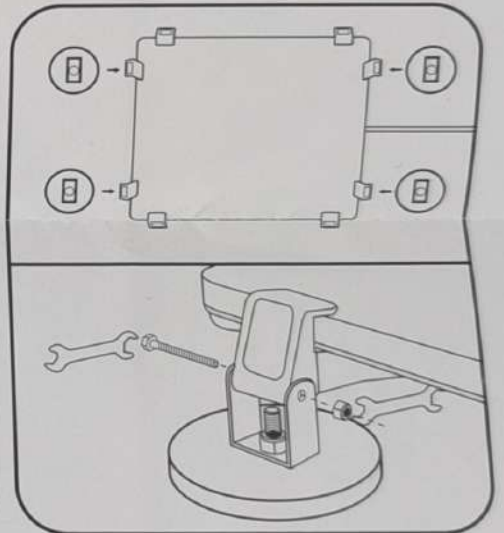
Instruction Manual



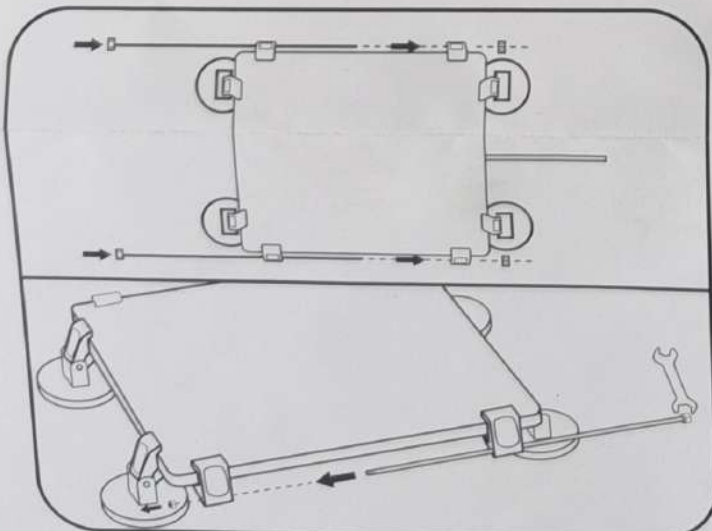
1. Install the four magnetic base mounting brackets.



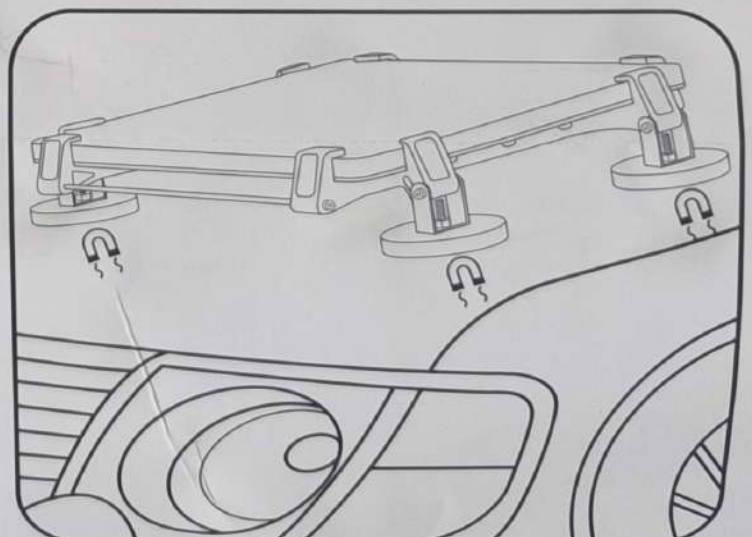
2. Attach the two end brackets to the Mini Dish.



3. Use a wrench to securely attach the four magnetic bases to the two brackets.



4. Install the balance rods at both ends and tighten the nuts with a wrench.



5. Attach the assembly to a metal surface to complete the installation.